



LABORATORY FURNITURE



CONTENTS

Advancelab Pro® Casework	3
Typical Bench Setup	4
Sliding Knee Space	5
Powder Coating	6
Wall Bench	7-8
Island Bench	9-10
Underbench Units	11-14
Sink	15
Storage Cabinet	16
Wall Hung Cabinet	17-18
Table	19
Mobile Table	20
Balance Table	21
Table Top	22
Reagent Rack	23
Open Rack	24
Trolley	25-36
Pass Box	27
Ceiling Boom	28
Safety Equipment	29
3D Drawing	30
Explosion View	31

Advancelab Pro[®] Steel Casework

Laboratory Furniture



Adjustable Steel Shelves



Quality Hinges



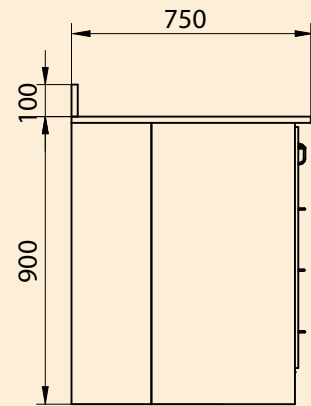
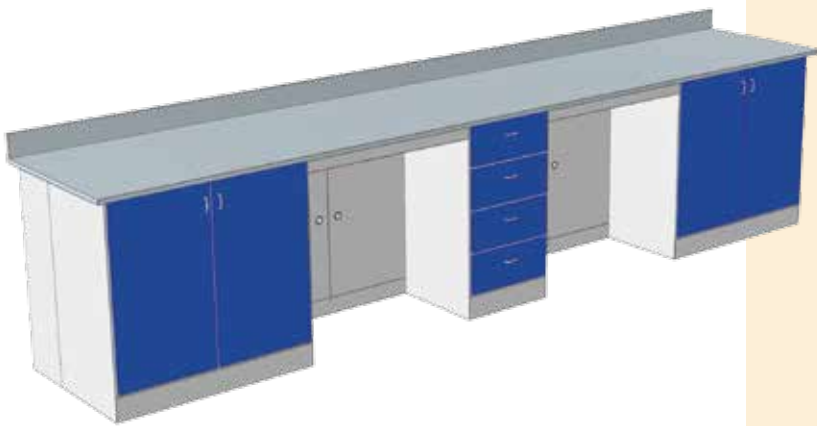
Heavy Epoxy Powder Coating



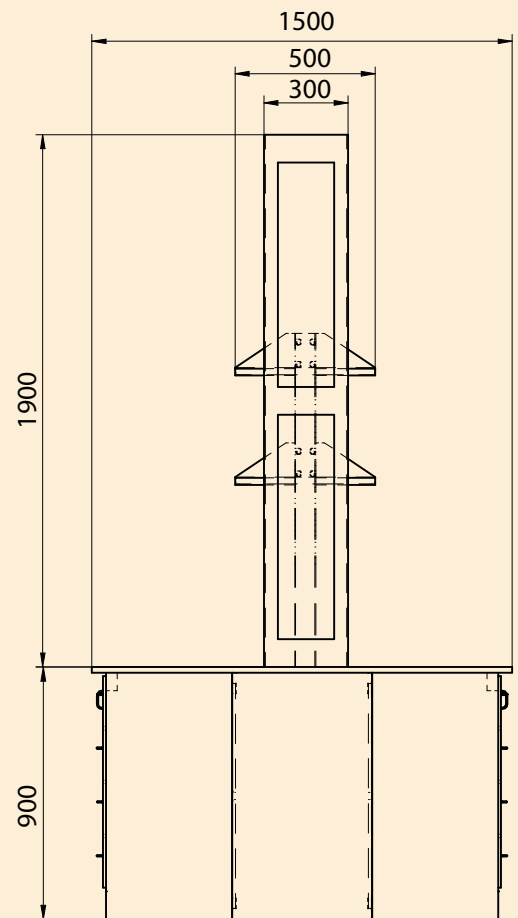
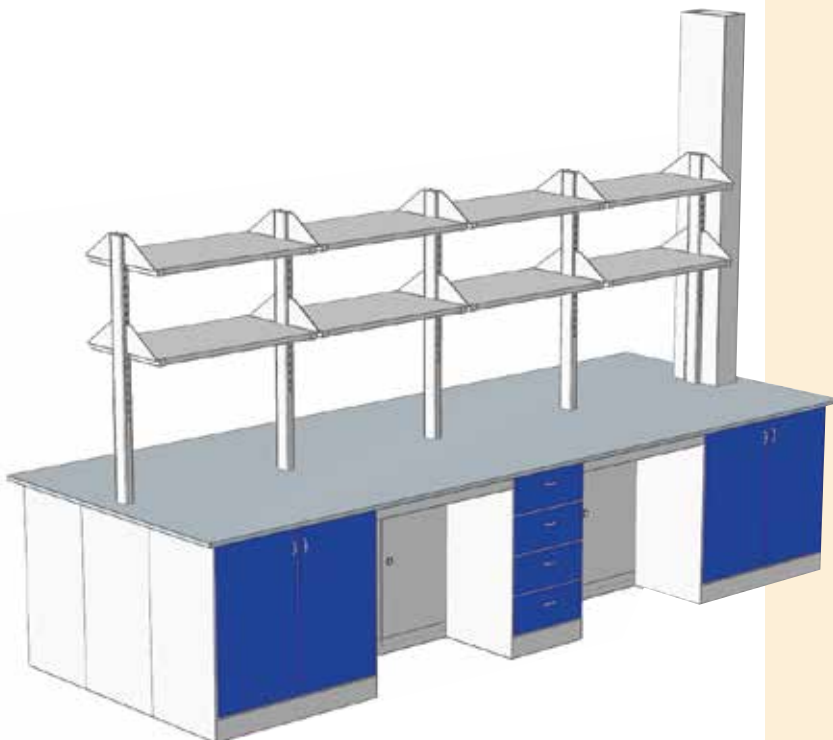
Our floor mounted steel casework is the lab furniture of tomorrow. It is flexible and allows infinite modifications at site with a “sliding knee space” concept. Construction uses electrogalvanised steel sheets with heavy epoxy powder coating. Quality hinges, door handles and drawer pulls lend to durability and years of trouble free use. We stock both epoxy and phenolic resin table tops to ensure quick ship possibilities to our ever growing export division.

Typical Bench Setup

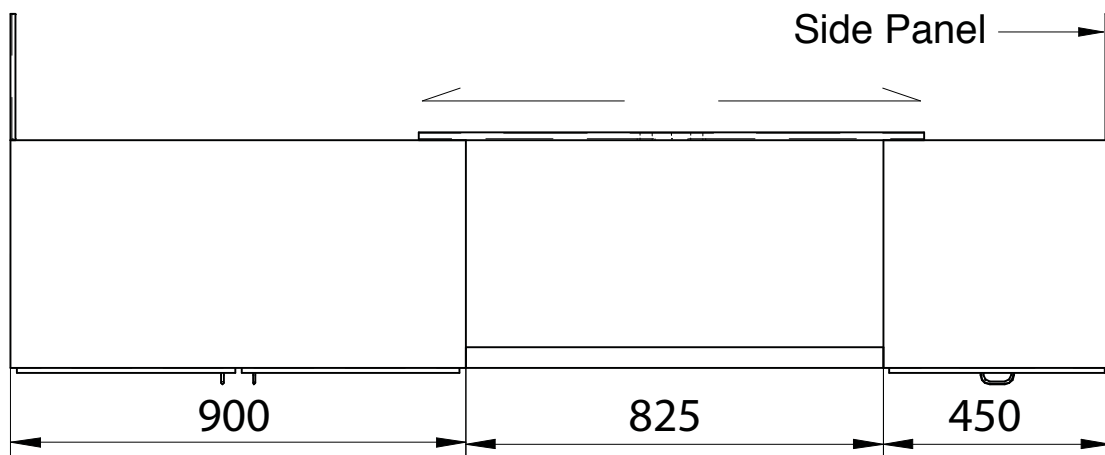
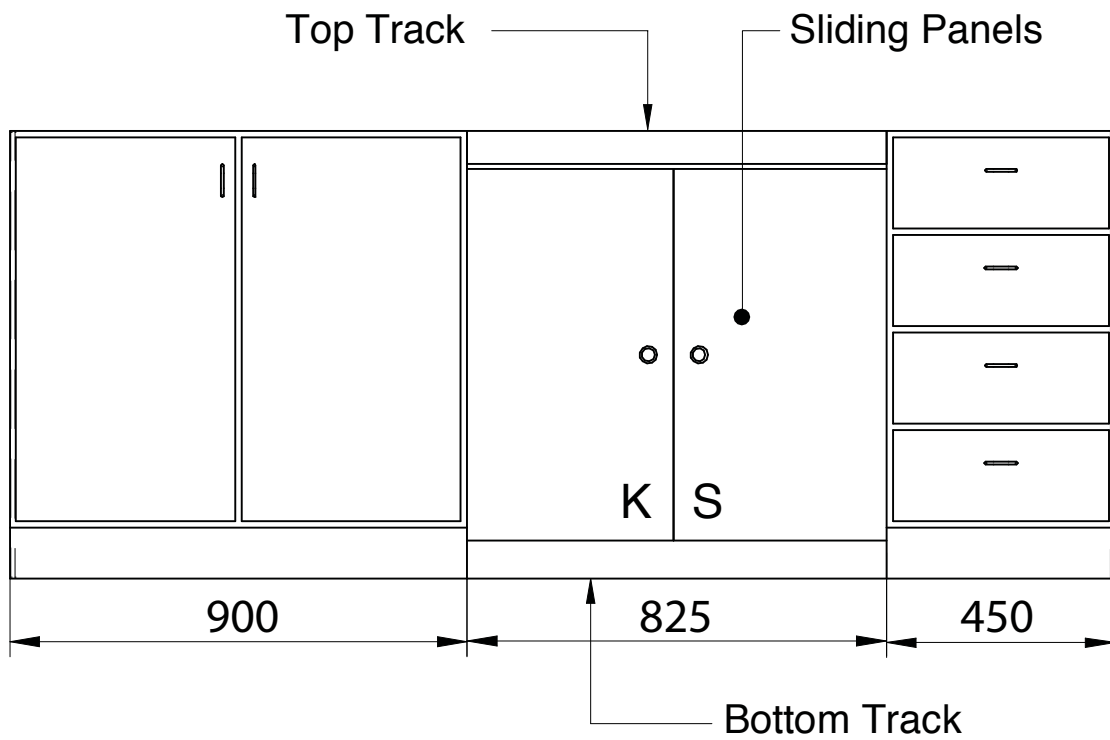
Wall Bench Module



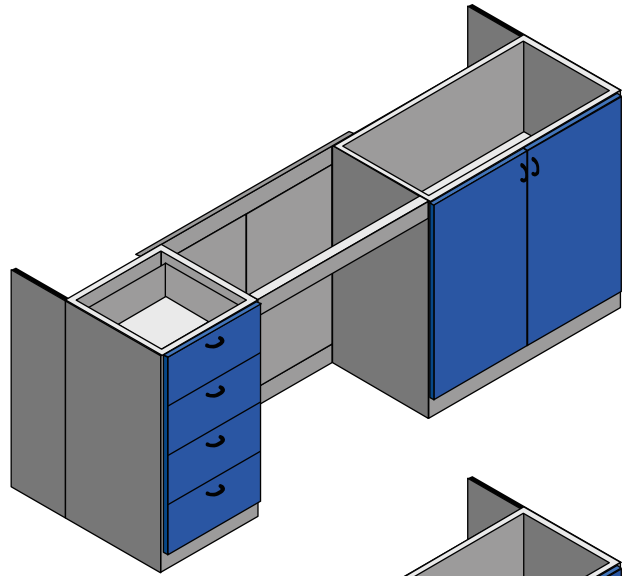
Island Bench Module



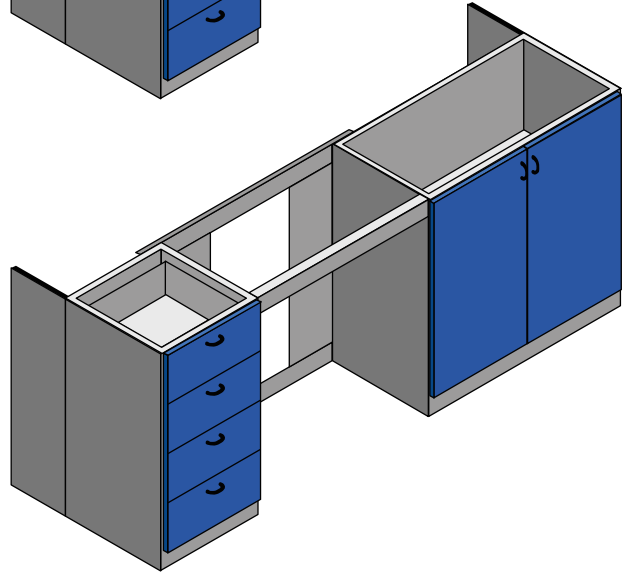
Sliding Knee Space



Sliding Knee Close



Sliding Knee Open



Powder Coating

Base Color



LIGHT GREY
PR12/808/CS10
RAL7035

SIGNAL WHITE
PR12/4269/CS6
RAL9003

Main Color



PASTEL GREEN
PR12/227/CS13
RAL6019



EMERALD GREEN
PR12/2045/CS2
RAL6001



LIGHT BLUE
PR12/363/CS21
RAL5012



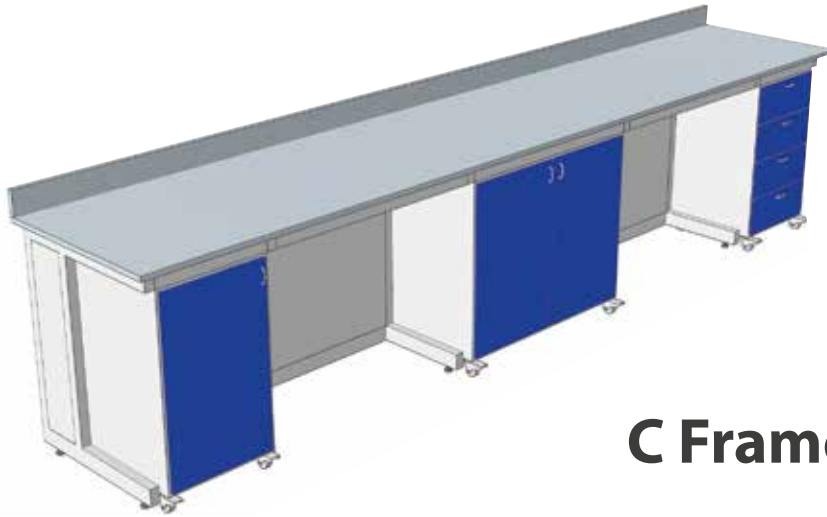
TRAFFIC RED
PR12/526/CS28
RAL3020



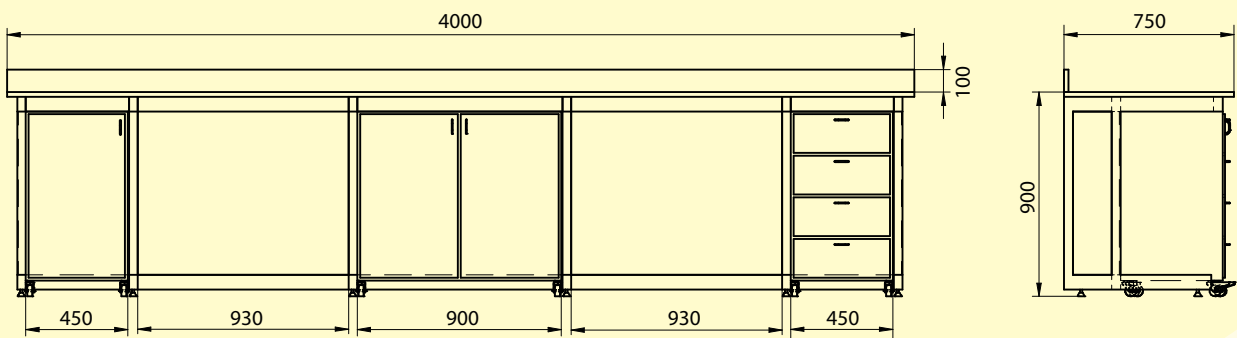
TRUNKING ORANGE
FF160/6178/C4

Wall Bench

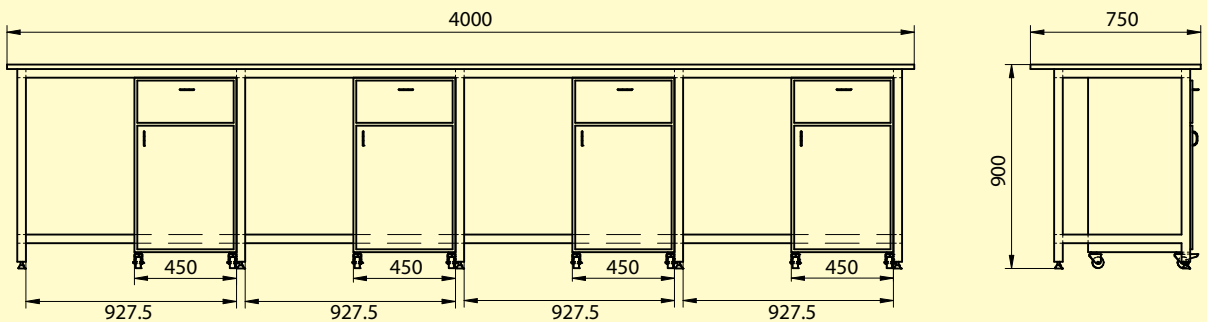




C Frame Wall Bench



H Frame Wall Bench

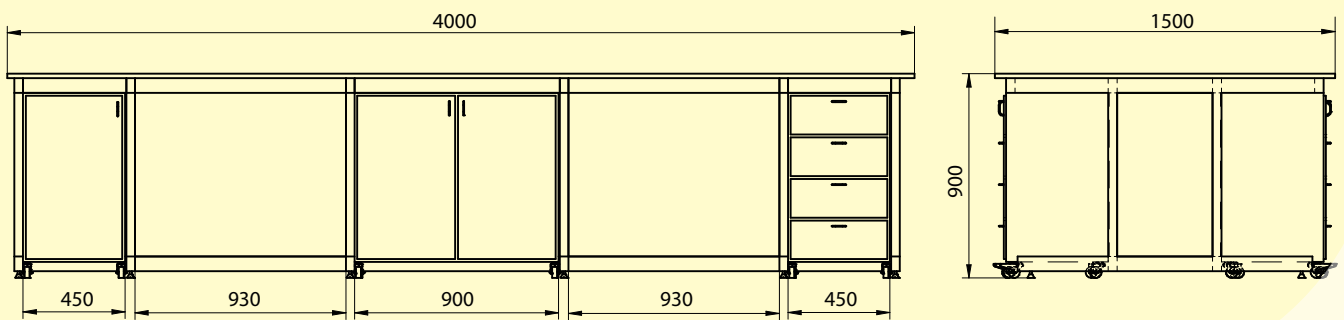


Island Bench

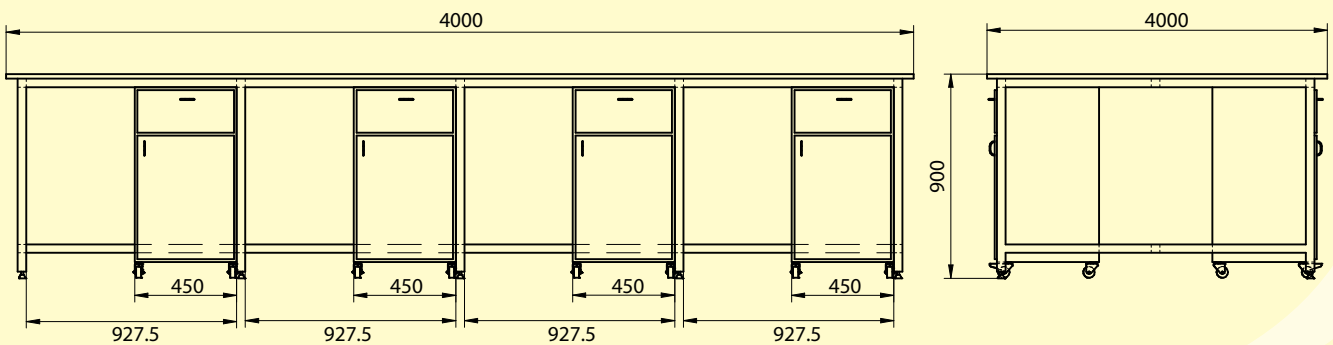




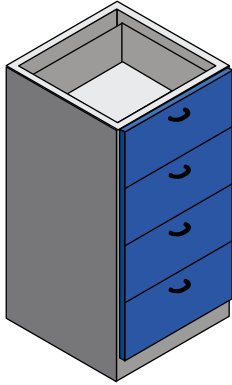
C Frame Island Bench



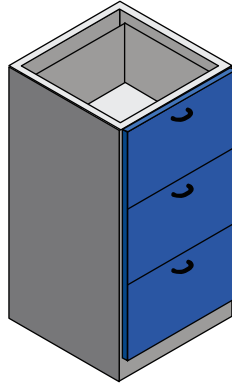
H Frame Island Bench



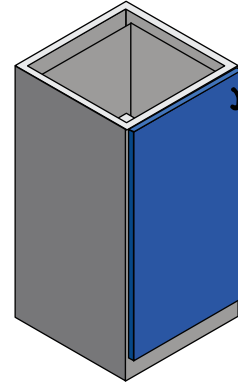
Underbench Units



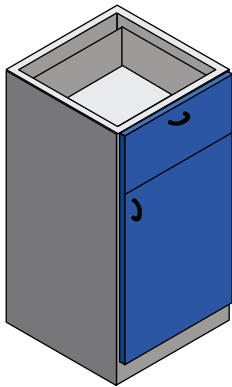
L450mm Drawer Pedestal (4 Tier)



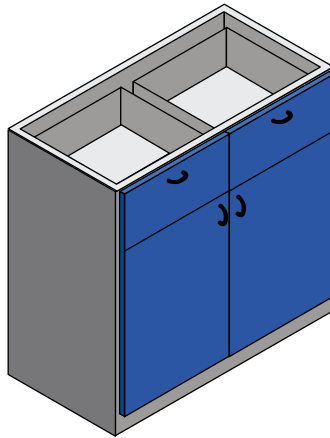
L450mm Drawer Pedestal (3 Tier)



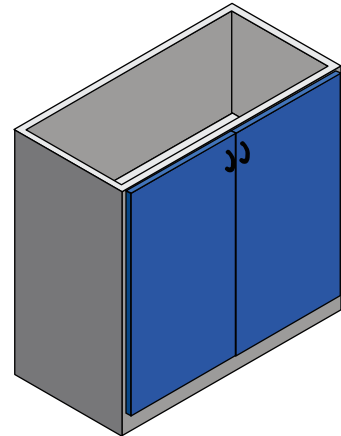
L450mm Single Door Pedestal



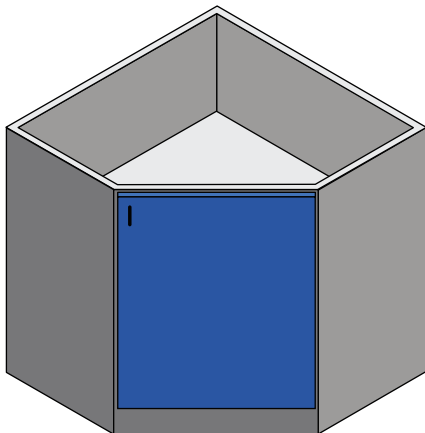
L450mm Combination Pedestal



L900mm Combination Pedestal



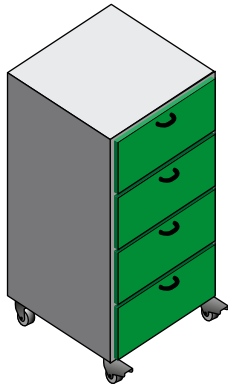
L900mm Double Door Pedestal



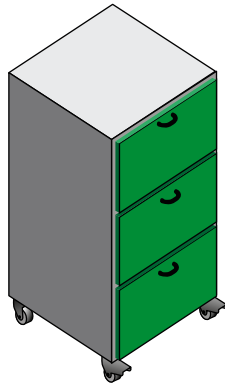
Corner Pedestal (For L Shaped Bench)

Underbench Units	
Working Heights (mm)	730/880
Depth (mm)	450
Length (mm)	450/600/900
Load Capacity	200kg/m ²

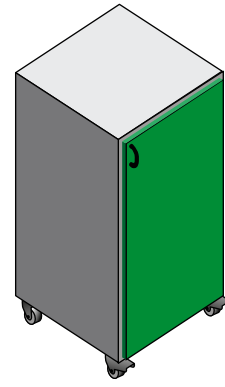
Underbench Units On Castors



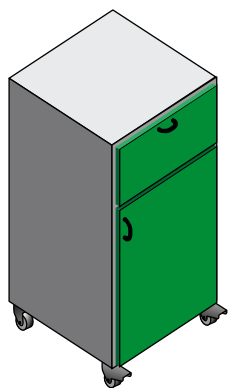
L450mm Drawer
Pedestal(4 Tier)



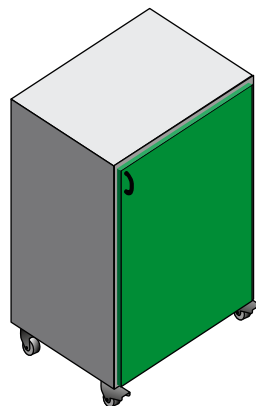
L450mm Drawer
Pedestal (3 Tier)



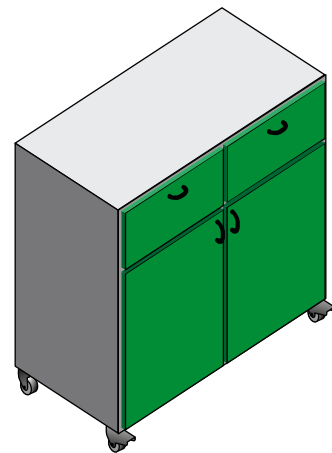
L450mm Single Door Pedestal



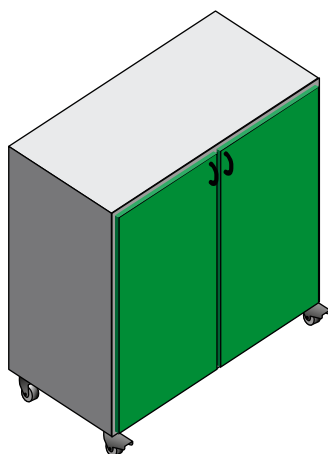
L450mm Combination
Pedestal



L600mm Single Door Pedestal



L900mm Combination
Pedestal

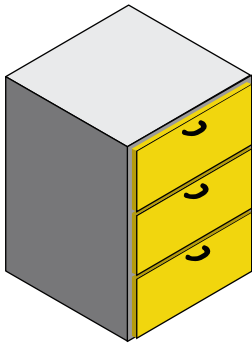


L900mm Double Door Pedestal

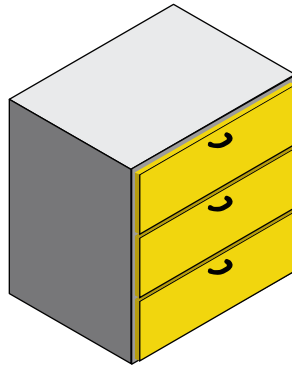
Underbench Units On Castors

Working Heights (mm)	660/810
Depth (mm)	450
Length (mm)	450/600/900
Load Capacity	200kg/m ²

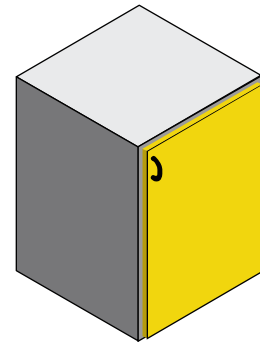
Suspended Underbench Units



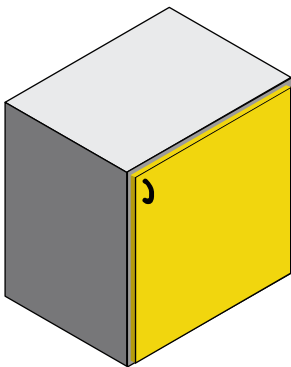
L450mm Drawer Pedestal (3 Tier)



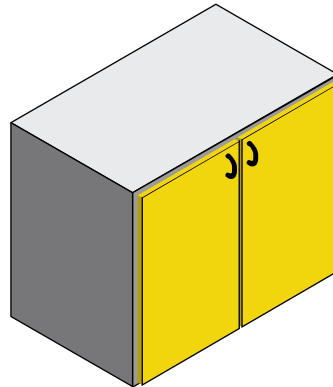
L600mm Drawer Pedestal (3 Tier)



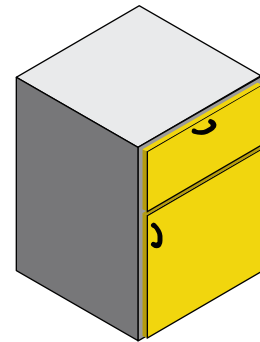
L450mm Single Door Pedestal



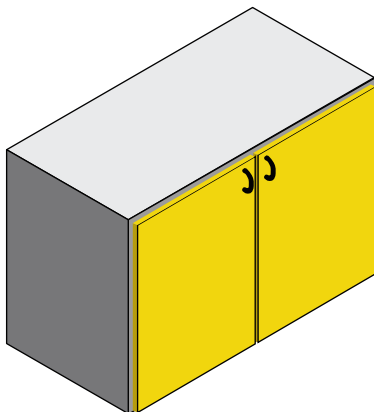
L600mm Single Door Pedestal



L750mm Double Door Pedestal



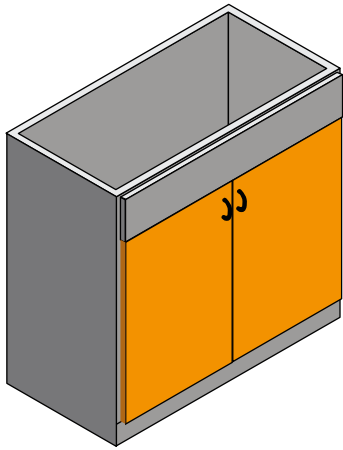
L450mm Combination Pedestal



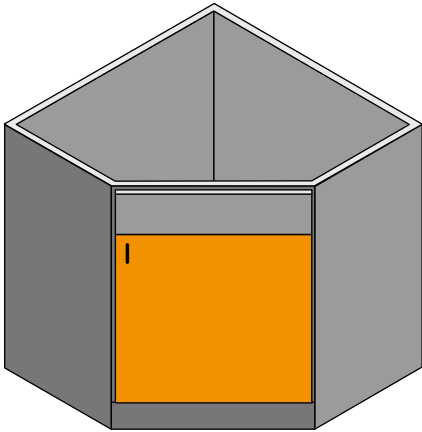
L900mm Double Door Pedestal

Suspended Underbench Units	
Working Heights (mm)	615
Depth (mm)	450
Length (mm)	450/600/900

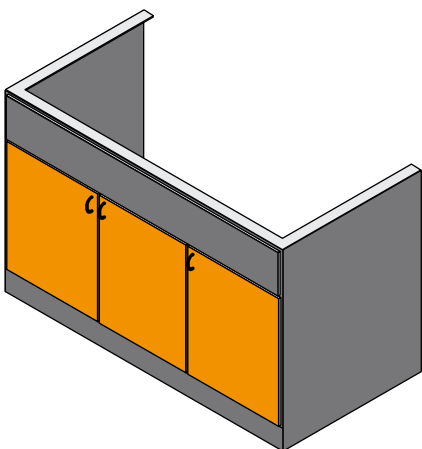
Underbench Sink Units



L900mm Sink Cabinet



Corner Sink Cabinet
(For L Shaped Bench)



L1400mm Sink Cabinet
(For Island Bench)



Sink



Stainless Steel 304 Sink

Model	External Length(A)	External Width(B)	Internal Length(C)	Internal Width(D)	Depth(E)
AD-S-01-SS304	300	300	250	250	250
AD-S-02-SS304	400	300	350	250	250
AD-S-03-SS304	450	450	400	400	250
AD-S-04-SS304	480	350	430	300	250
AD-S-05-SS304	500	400	450	350	300
AD-S-06-SS304	550	450	500	400	300
AD-S-07-SS304	600	400	550	350	300
AD-S-08-SS304	650	400	600	350	300
AD-S-09-SS304	750	500	700	450	300
AD-S-10-SS304	900	500	850	450	300



Stainless Steel 304/ 316 Sink



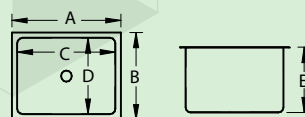
Polypropylene Sink

Stainless Steel 316 Sink

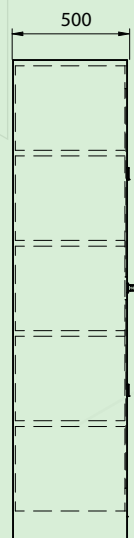
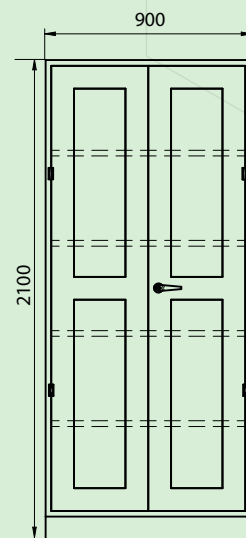
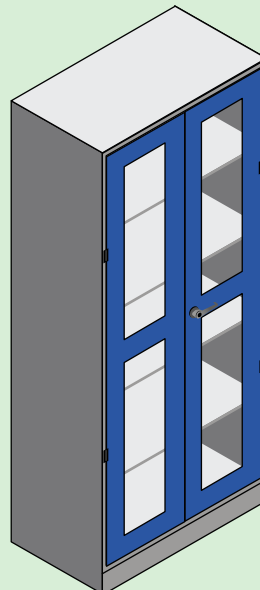
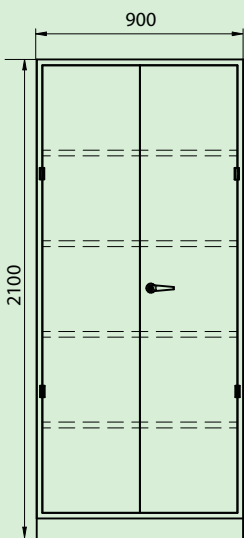
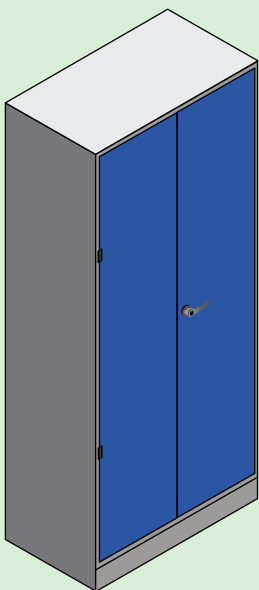
Model	External Length(A)	External Width(B)	Internal Length(C)	Internal Width(D)	Depth(E)
AD-S-01-SS316	300	300	250	250	250
AD-S-02-SS316	400	300	350	250	250
AD-S-03-SS316	450	450	400	400	250
AD-S-04-SS316	480	350	430	300	250
AD-S-05-SS316	500	400	450	350	300
AD-S-06-SS316	550	450	500	400	300
AD-S-07-SS316	600	400	550	350	300
AD-S-08-SS316	650	400	600	350	300
AD-S-09-SS316	750	500	700	450	300
AD-S-10-SS316	900	500	850	450	300



Epoxy Resin Sink: Black

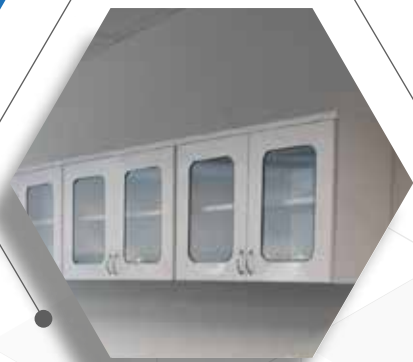


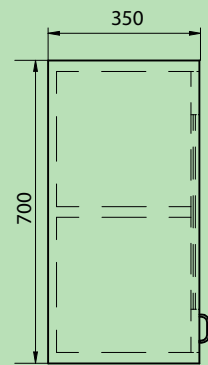
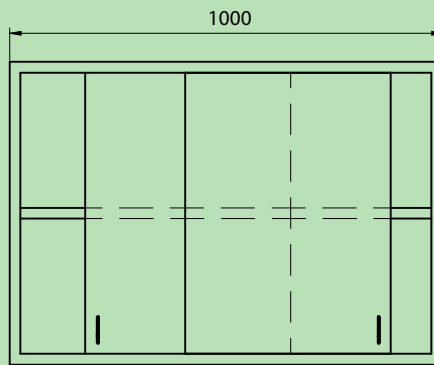
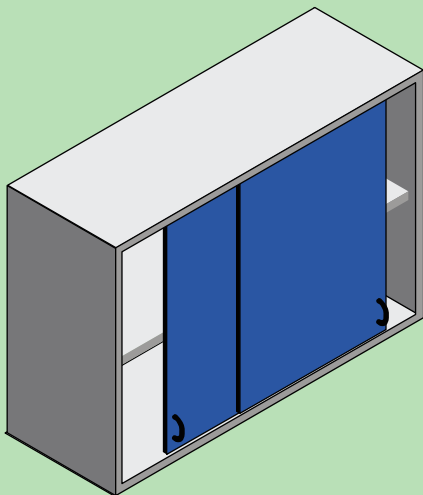
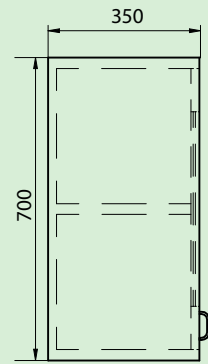
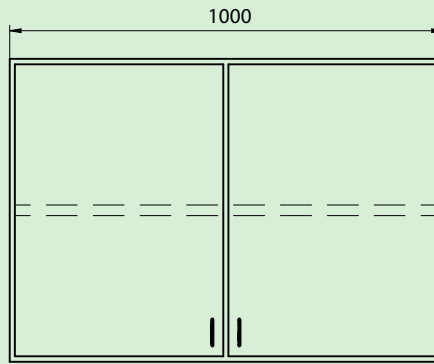
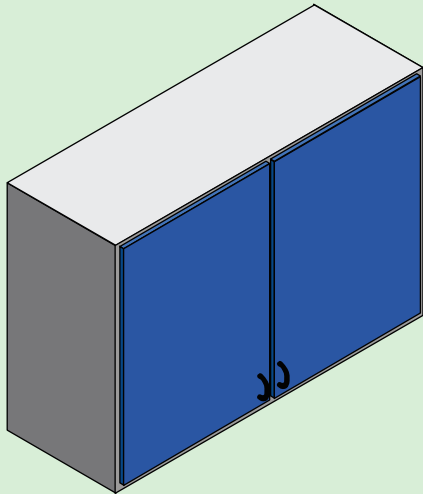
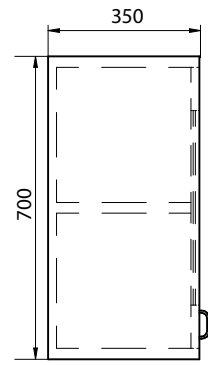
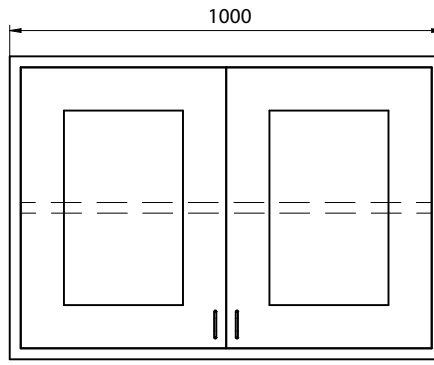
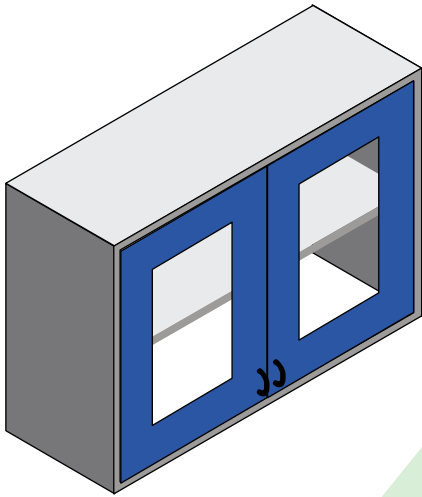
Storage Cabinet



Wall Hung Cabinet

Laboratory Furniture

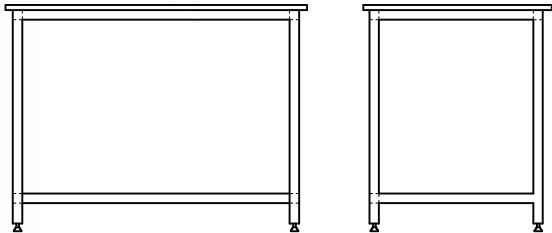




Table



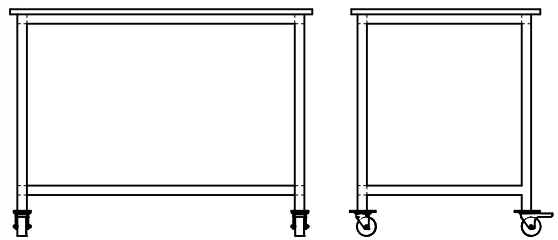
Table	
Working Heights (mm)	750/900
Depth (mm)	750/900
Length (mm)	900/1200/1500



Mobile Table

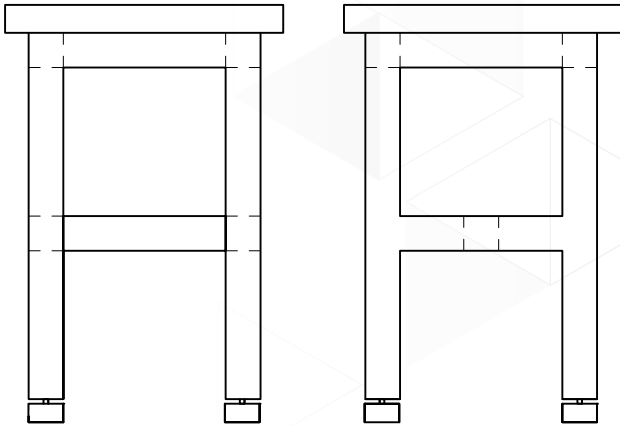


Mobile Table	
Working Heights (mm)	750/900
Depth (mm)	750/900
Length (mm)	900/1200/1500



Balance Table

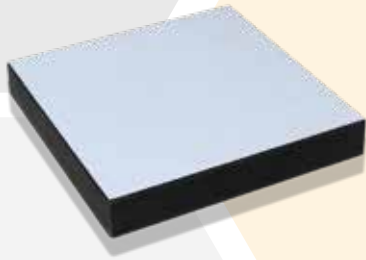
The balance table is used for analytical balances and other sensitive measuring equipment. A heavy slab of concrete is specially mounted on a supporting construction which is vibration isolated.



Balance Table	
Working Heights (mm)	750/900
Depth (mm)	450/600/900
Length (mm)	450/600/900/1200
Load Capacity	

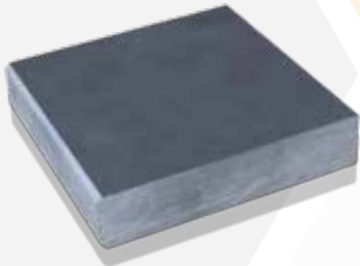


Table Top



Phenolic Resin

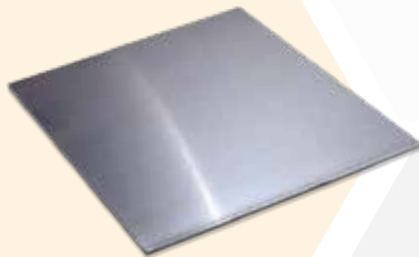
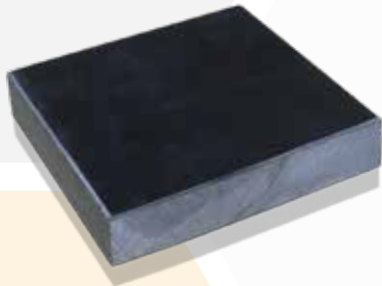
Standard 16mm but available up to 25mm.



Epoxy Resin

Standard 19mm but available up to 25mm.

Color: Grey, Black



Stainless Steel

SS304/SS 316 available in various sizes and finishes.

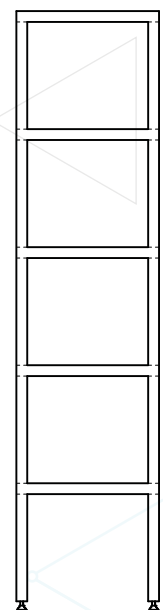
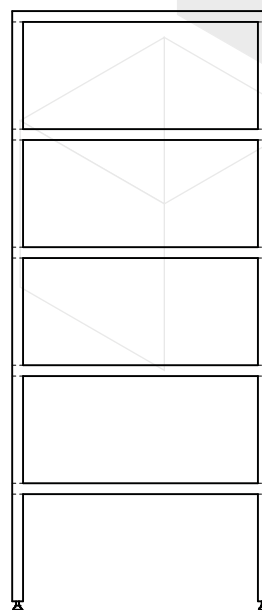
Reagent Rack



Open Rack

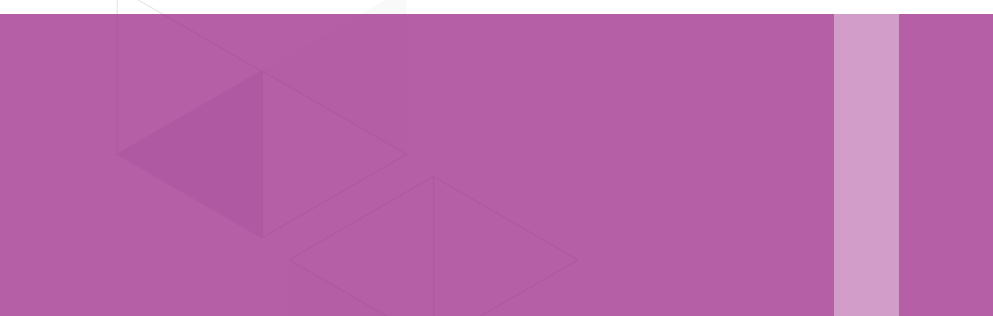
Ideally suited for storing consumable, these are available with the option of castors.

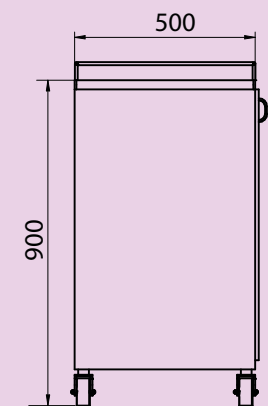
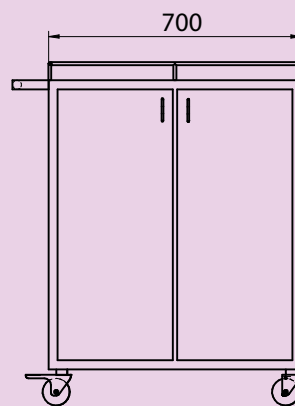
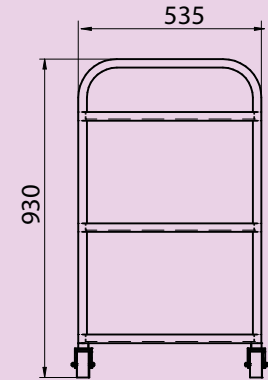
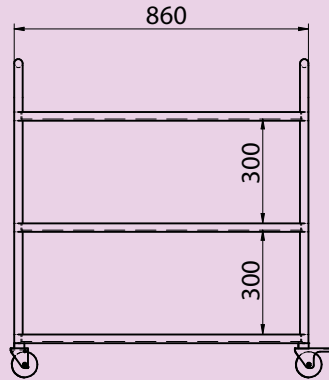
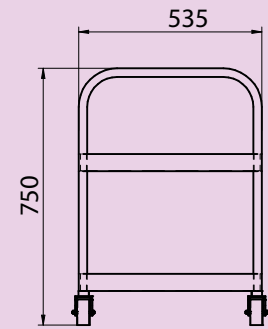
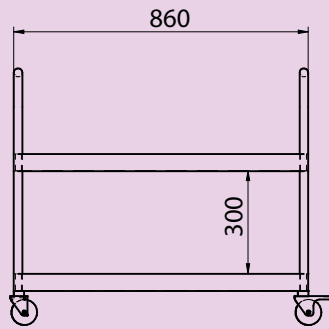
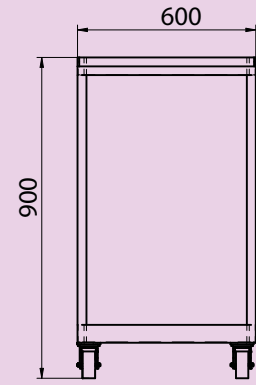
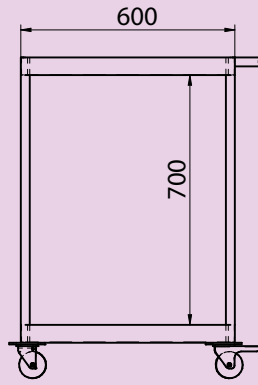
Open Rack	
Working Heights (mm)	2100
Depth (mm)	500
Length (mm)	900/1000/1200
Load Capacity	100kg/shelf





Trolley



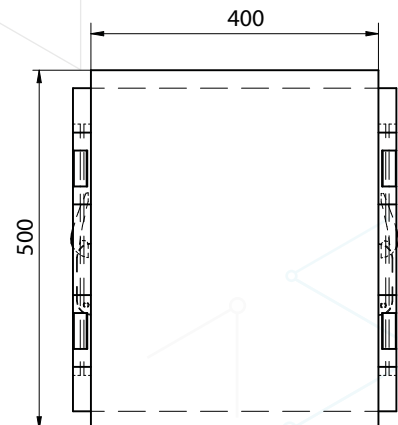
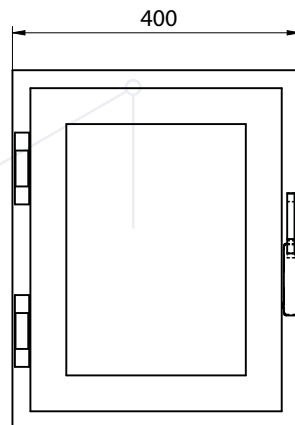


Pass Box



Types

- Standard
- Mechanical Interlock
- Electrical Interlock
- Custom Sizes Available



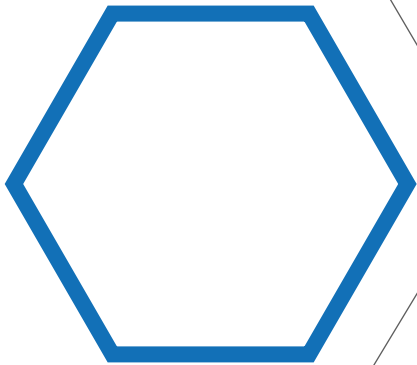
Ceiling Boom



Suspended Service Booms

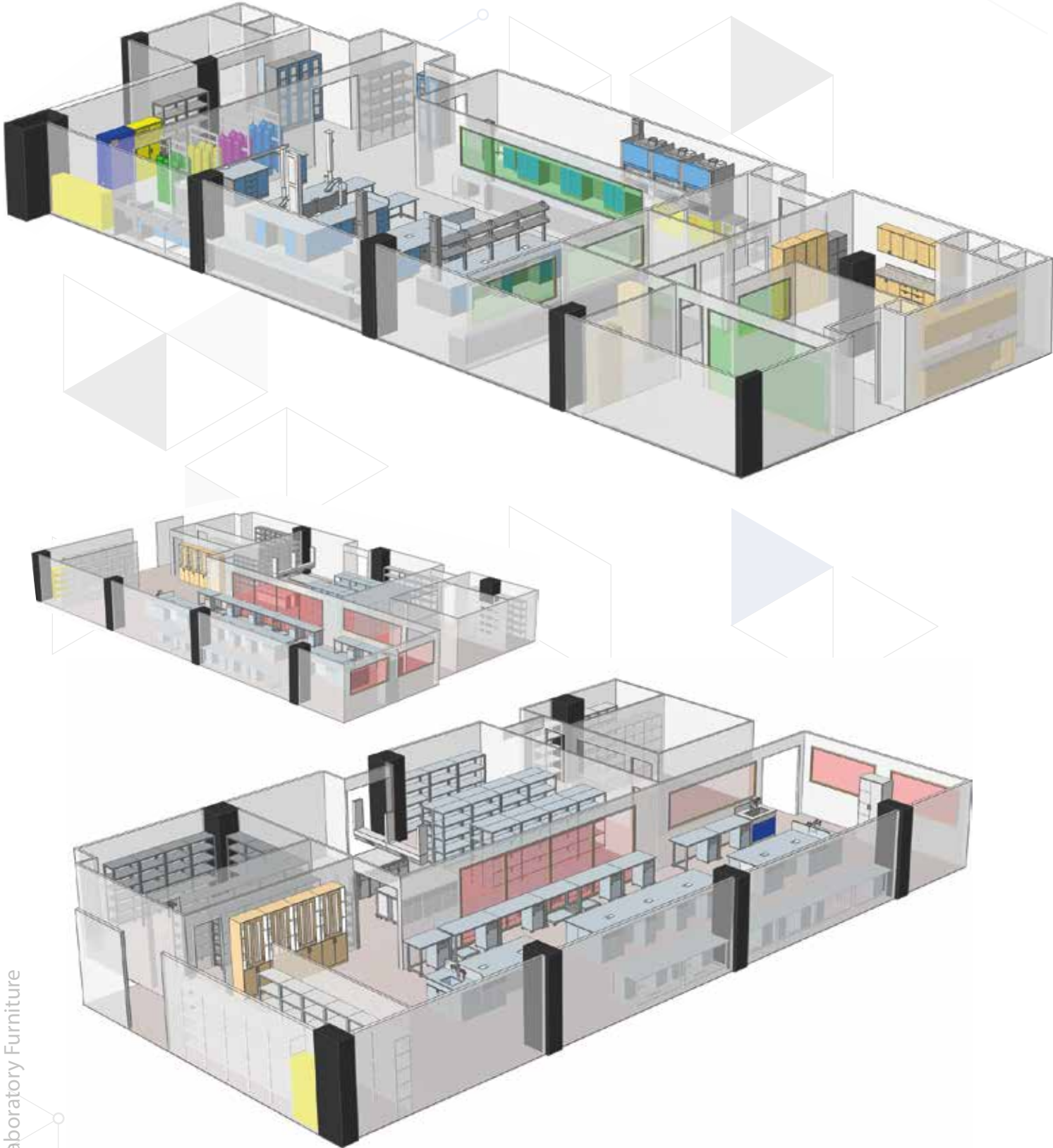
Suspended service booms are used for the provision of electrical and mechanical services at the laboratory workstation. The modular spines are fastened to the raw ceiling.

Safety Equipment

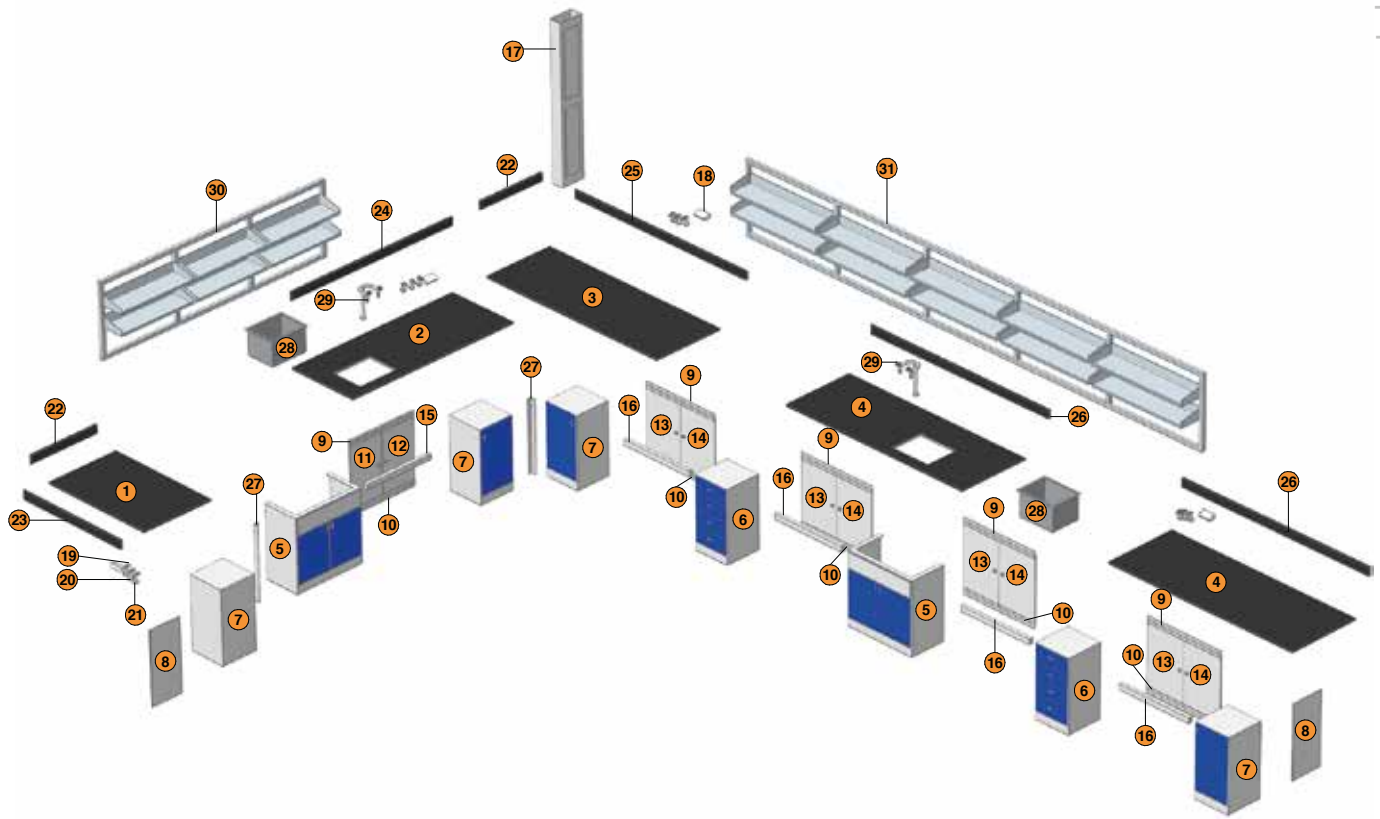


3D Drawing

Giving our clients a better perspective everytime.



Explosion View



- | | |
|---|--|
| 1. Worktop (L1400mm x D900mm) - 1 Pc | 17. Service Dropper (L300mm x D150mm x H1900mm) - 1 Pc |
| 2. Worktop (L2240mm x D900mm) - 1 Pc | 18. 13amp 2-Gang Switch Socket Outlets - 4 Pcs |
| 3. Worktop (L2490mm x D900mm) - 1 Pc | 19. 2 Way O2 Gas Tap - 4 Pcs |
| 4. Worktop (L2480mm x D900mm) - 2 Pcs | 20. 2 Way N2 Gas Tap - 4 Pcs |
| 5. Sink Cabinet (L900mm x D450mm) - 1 Pc | 21. 2 Way Compressed Air Tap - 4 Pcs |
| 6. Drawer (L450mm x D450mm) - 2 Pcs | 22. Side Splash (L881mm x H100mm) - 2 Pcs |
| 7. Single Cabinet (L450mm x D450mm) - 4 Pcs | 23. Backsplash (L1400mm x H100mm) - 1 Pc |
| 8. Side Panel (L250mm x H880mm) - 2 Pcs | 24. Backsplash (L2240mm x H100mm) - 1 Pc |
| 9. Top Sliding Track (L1117mm) - 5 Pcs | 25. Backsplash (L2490mm x H100mm) - 1 Pc |
| 10. Bottom Sliding Track (L1117mm) - 5 Pcs | 26. Backsplash (L2480mm x H100mm) - 2 Pcs |
| 11. Left Sliding Panel (L508mm) - 1 Pc | 27. L Shape Panel (100mm x 100mm) - 2 Pcs |
| 12. Right Sliding Panel (L508mm) - 1 Pc | 28. SS Sink (W500mm x D400mm x H300mm) - 2 Pcs |
| 13. Left Sliding Panel (L558mm) - 4 Pcs | 29. 2 Way Lab Tap - 2 Pcs |
| 14. Right Sliding Panel (L558mm) - 4 Pcs | 30. Wall Mounted Adjustable Shelving (L3100mm) - 1 Pc |
| 15. C Channel (L890mm) - 1 Pc | 31. Wall Mounted Adjustable Shelving (L6500mm) - 1 Pc |
| 16. C Channel (L950mm) - 4 Pcs | |



LABORATORY FURNITURE

AdvanceLab has built a rock steady reputation for solutions where most fail. Since our establishment in 2003, we have positioned ourselves as the premier facility solution provider for the scientific industry; designing, building and delivering quickly and without fuss. We have also taken our brand of expertise globally; now with exports of laboratory casework, fume hoods, laminar flow cabinets and clean booths heading to 30 countries, covering all continents.



Indonesia

PT. Advancelab Saintifik

Jl. Boulevard Raya Blok QJ 5 No. 23
Kelapa Gading, Jakarta Utara, Indonesia
Tel: +6221 45854570
Fax: +6221 45854570
Email: info-id@advancelab-global.com
Website: www.advancelab.com.sg

Malaysia

Advancelab Sdn Bhd

KL Office: Unit B-1-10, Block B, No. 2,
Jalan PJU 1A/7A, Oasis Square, Ara
Damansara, 47301 Petaling Jaya,
Selangor Darul Ehsan, Malaysia.
Tel: +603 7831 0188
Fax: +603 78310588
Email: info-my@advancelab-global.com
Website: www.advancelab.com.sg

Johor Factory: No. 3388, Jalan
Pekeliling Tanjung 27/2, Kawasan
Perindustrian Indahpura, 81000
Kulaijaya, Johor, Malaysia.
Tel: +607 660 8877
Fax: +607 660 8866
Email: info-my@advancelab-global.com
Website: www.advancelab.com.sg

Myanmar

Advancelab Scientific & Engineering Co., Ltd

No(81/2), 7th Street, Than Thu Mar Road,
(14/1)Quarter, South Okkalapa Township,
Yangon, Myanmar.
Tel: +95 (1) 572393
Fax: +95 (1) 572393
Email: info-mm@advancelab-global.com
Website: www.advancelab.com.sg

Singapore

Advancelab (S) Pte Ltd

No.52 Senang Crescent,
Singapore 416619
Tel: +65 6448 8255
Fax: +65 6448 9833
Email: info@advancelab.com.sg
Website: www.advancelab.com.sg

Thailand

Advancelab (Thailand) Co., Ltd.

9/28, Village No 13, Bang Ramat
Sub-district, Taling Chan District,
Bangkok Metropolis, Thailand
Tel: +65 6448 8255
Fax: +65 6448 9833
Email: info-th@advancelab-global.com
Website: www.advancelab.com.sg

Indonesia • Malaysia • Myanmar • Philippines • Singapore • Thailand

