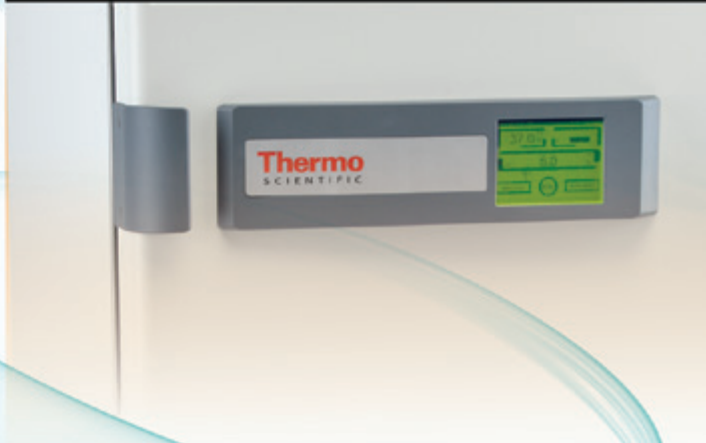




Thermo Scientific Heracell VIOS  
CO<sub>2</sub> Incubator



**Designed to achieve**  
your next breakthrough

**Thermo**  
SCIENTIFIC

# Designed to achieve your next breakthrough

The **Thermo Scientific™ Heracell™ VIOS series** represents a new era in advanced incubator design for sensitive cultures like stem and primary cells in leading research, pharmaceutical and clinical applications.

Through a holistic approach to culturing, our newest incubator series provides everything necessary for your most demanding and highly critical applications. By combining our latest technology advancements in contamination control and uniform growth conditions with existing proven and reliable features, you are now able to achieve your goals faster, more reliably, and with less effort.

## Better solutions for optimal cell growth

Revolutionary THRIVE™ active airflow technology delivers homogeneous growth conditions fast, avoiding unwanted sample variation.

## Complete contamination control

Proven protection from every direction including ISO class 5 HEPA filtered air, on-demand high-temperature sterilization, and easy to maintain copper.

## Enhanced simplicity

Designed to focus on convenience, allowing you to spend more time on your research and less time managing your incubator.

The Heracell VIOS CO<sub>2</sub> incubator delivers the performance reliability, ease of operation, and value required to support a range of culturing needs from basic research to demanding, leading-edge applications, so you're ready for whatever comes next!



## A direct heat CO<sub>2</sub> incubator that better supports you and your science.



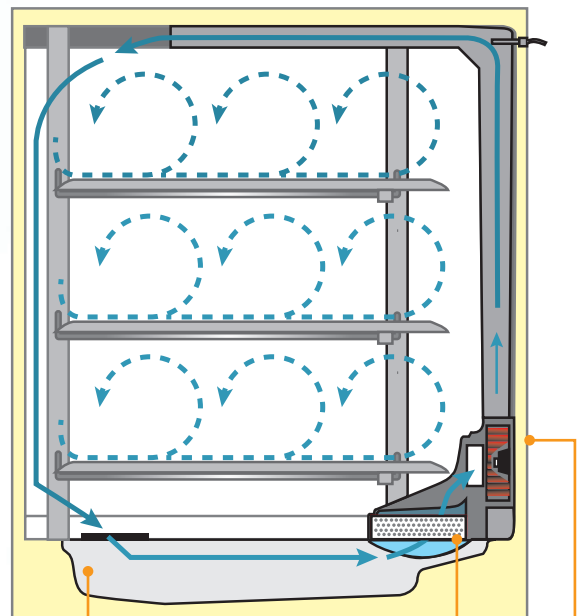
- 165L (5.8 cu ft) in a compact foot print, readily stackable
- Choice of electropolished stainless steel or 100% pure copper
- Adjustable, perforated shelving
- Easy-to-clean, coved corners with convenient access port
- Reversible exterior door for added flexibility
- 2 year parts and labor warranty

# Better solutions for optimal cell growth

The Heracell VIOS incubator incorporates THRIVE active airflow technology, providing faster recovery and uniformity for consistent results. Your cells experience total recovery of all critical growth parameters in **less than 10 minutes following a door opening.\***

**Innovative  
THRIVE  
active airflow  
technology**

In-chamber fan gently and evenly distributes clean, humidified air throughout the chamber ensuring all cells experience the same conditions without the threat of desiccation.



Incoming air first travels over a direct heated water reservoir resulting in 50% faster humidity recovery than with a standard water pan design.\*\*

The in-line HEPA filter cleans the airstream of microbes and particles protecting cultures from contamination.

The precise, variable speed fan with an auto-stop function disables fan operation during door openings to minimize air exchange. Once the door is closed, the fan temporarily accelerates for quick recovery.

\* Based on internal testing standards for a 30 second door opening, recovery time calculated to 98% of starting value for temperature and CO<sub>2</sub> and 95% of starting value for humidity

\*\*Comparison of internal testing data to published specifications





| optimal cell growth



## Advanced *in situ* sensor technology

Probes and gas sensors are positioned in the chamber to respond quickly to any deviations in desired conditions

- Robust design allows maintenance-free, *in situ* location, eliminating the need for removal during sterilization and separate cleaning and handling activities
- **New!** Dual temperature probes with PID controller provide over temperature protection by preventing overshoot during recovery; temperatures recover under 5 minutes\*
- Oxygen controlled models are equipped with advanced Zirconium oxide sensors, enabling a choice of control ranges 1-21% (hypoxic) and 5-90% (hyperoxic)
- On-demand auto-start facilitates easy start-up and calibration

Save valuable incubator space with Thermo Scientific Nunc EasyFill Cell Factory systems.

[www.thermoscientific.com/easyfill](http://www.thermoscientific.com/easyfill)

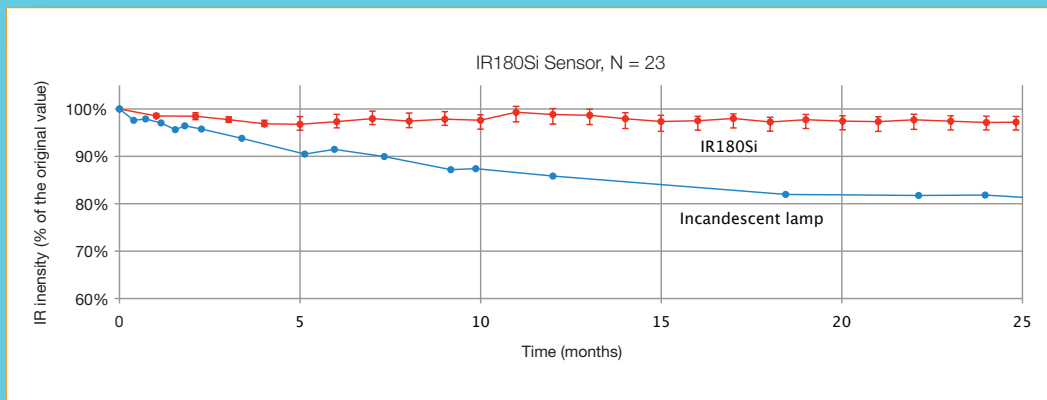
\* Temperature recovery time calculated to 98% of starting value, based on internal testing standards of a 30 second door opening

# Choice of accurate and reliable CO<sub>2</sub> sensor technology

## Temperature resistant, bulb-free IR CO<sub>2</sub> sensor with MEMS emitter technology

New temperature resistant IR180Si infrared CO<sub>2</sub> sensor replaces the traditional incandescent IR light source with silicon MEMS emitter technology that improves stability and reliable service life. This sensor is ideal for labs looking for the best of both technologies for advanced, high volume, or value culturing.

- Internal auto-calibration eliminates drift due to changes in ambient conditions that can affect traditional IR sensors
- IR180Si CO<sub>2</sub> measurement not affected by changes in temperature, humidity, oxygen, or barometric pressure \*\*
- Highly responsive with recovery under 5 minutes from door openings

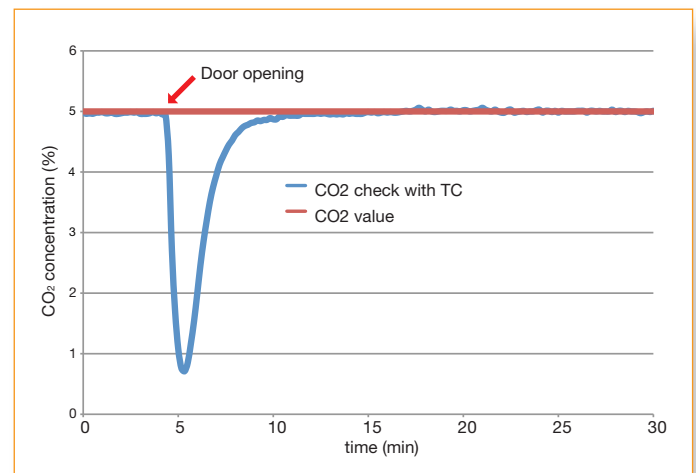


A traditional IR sensor contains an incandescent bulb that puts out less light as it ages, resulting in sensor drift. The IR180Si eliminates this problem. Our silicon MEMS emitter is designed to retain intensity over time, lasting up to 50% longer than ordinary IR sensors.

## Innovative TC sensor solution

The NEW TC180 offers the performance advantages of traditional IR technologies without the limiting lifespan of a standard incandescent bulb. This sensor is ideal for everyday cell culture applications.

- Improved stability with internal humidity compensation minimizing drift between calibrations
- CO<sub>2</sub> values unaffected by changes in humidity, enabling fast recovery from a routine door opening
- Economical, long service life



TC180 – CO<sub>2</sub> recovery under 6 minutes from a door opening of 30 seconds.

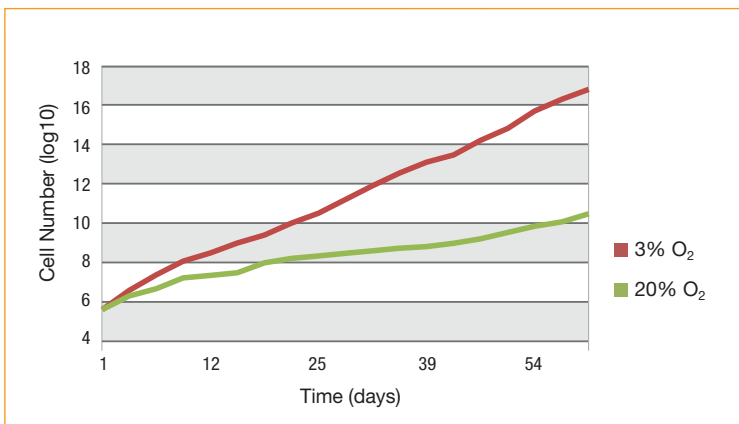
\*CO<sub>2</sub> recovery time calculated to 98% of starting value, based on internal testing standards of a 30 second door opening

\*\*Information cited based on sensor manufacturer's data

## Added culturing flexibility with variable oxygen control

Many cell types thrive best in CO<sub>2</sub> incubators with reduced oxygen. Culturing cells at lower oxygen concentration will better simulate physiological conditions, resulting in cell behaviors that are more predictive of the *in vivo* environment.

Our variable oxygen control (or “tri-gas”) incubators will generate conditions to help your cells grow faster and healthier. With the Heracell VIOS incubator, you can select the incubator for your O<sub>2</sub> range: simulate hypoxic (1-21%) environments for primary cell, stem cell and embryo culturing applications, or hyperoxic (5-90%) conditions for research in lung, retina and other sensitive tissues.



### Primary Cell Growth in Atmospheric and Physiological Oxygen

Cells cultured in low oxygen (hypoxia) will generally grow faster, live longer, and show lower stress.

*Adapted from Parrinello et al. Nature Cell Biology 2003.*

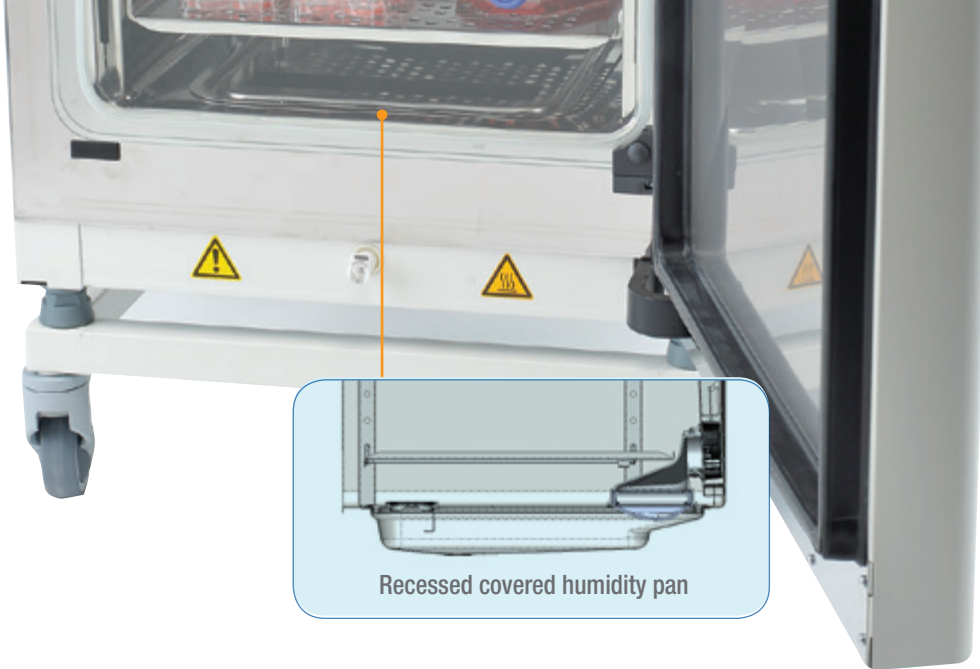
With segmented inner doors, accessing separate sections of the incubator is convenient, minimizing recovery time and contamination risk.

***"Our lab mandates this [5% oxygen in the tri-gas incubator] in order to mimic conditions in the body, so that cells are as close to those conditions as possible and nothing is different. All of the signals for proper epigenetics are there."***

Stem cell researcher at biomedical research institute







Recessed covered humidity pan

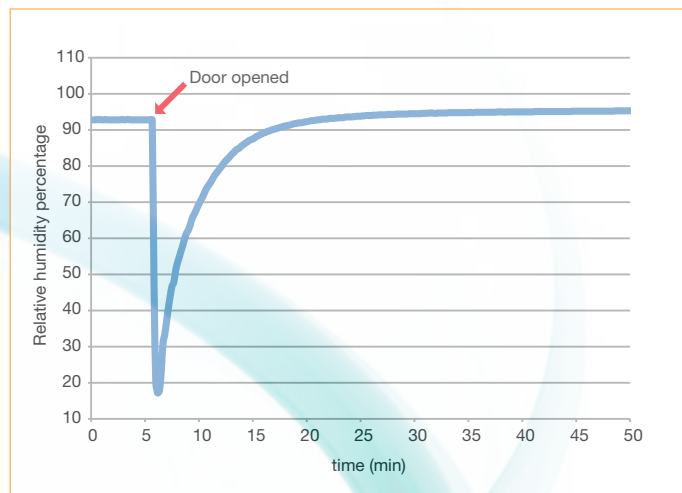
## Exclusive condensation free humidification system

Our unique integral covered humidity reservoir maximizes relative humidity without condensation ensuring a dry inner chamber, preventing a breeding ground for contaminants.

- Providing stable, high relative humidity levels, the integrated 3 liter reservoir allows more space for samples than standard pan designs
- The reservoir cover eliminates standing water in the culture area while limiting particles and spilled media from settling into the reservoir
- Water level is continuously monitored and displayed on the Thermo Scientific iCAN™ touchscreen with advanced notice of refill needed
- Humidity reservoir may be filled without removing shelves or cultures and is easily drained through built-in copper drain
- CO<sub>2</sub> and optional N<sub>2</sub>/O<sub>2</sub> gases are pre-humidified before entering the chamber, providing a more constant, uniform environment

Directly heated reservoir boosts 5X faster recovery than removable pan designs.

Relative humidity recovery is less than 10 minutes with 30 second door opening.\*



**Evaporation is 4X faster at 80% than at > 93% humidity\*. Maximum humidity with rapid recovery is critical to limit water evaporation from media that results in toxic concentrations.**

\*Esser, P and Weitzmann, L. Evaporation From Cell Culture Plates. Thermo Scientific 2011, TILSPNUNCBU02 0111

# Complete **contamination control**

## Protect your cultures with proven technologies

Our advanced contamination control technologies are designed to protect your valuable cultures, eliminate the loss of time and resources while providing convenient added security for your research work.

Heracell VIOS incubators deliver the latest innovations in contamination control technologies that protect the incubator air, surfaces and humidification water. Cultures are continuously protected 24/7, and convenient on-demand high temperature sterilization offers simplified cleaning protocols.

**“Normal” indoor air contains 30-700 microorganisms/m<sup>3</sup>.\***  
**Normal flora on our skin equals 10,000 microorganism/cm.\*\***  
**These can enter your incubator during routine access.**

\* Stryjakowska-Sekulska et al. 2007.

\*\* Grice et al. 2008

Expand the growth of even your most finicky cells with specialty coated Thermo Scientific™ EasYFlasks™, featuring a unique angled neck for full access to the growth surface when pipetting.

[www.thermoscientific.com/easyflasks](http://www.thermoscientific.com/easyflasks)

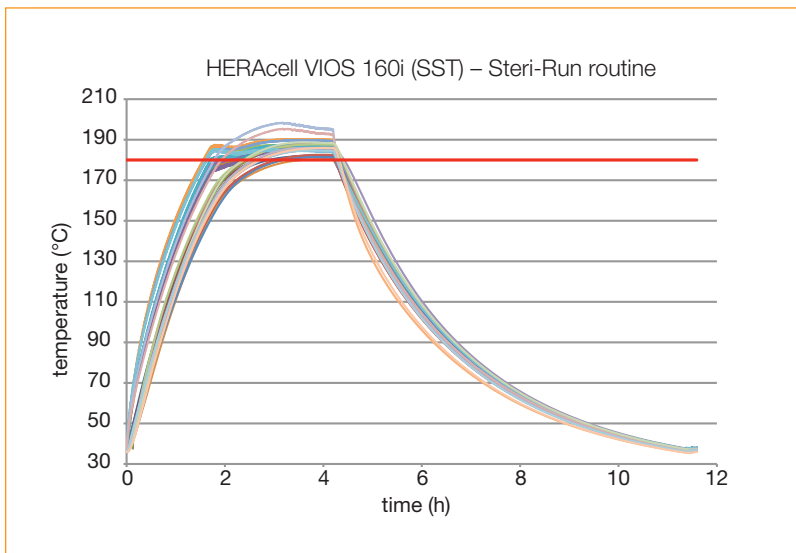




## High-temperature sterilization with push button simplicity

Our exclusive Thermo Scientific Steri-Run™ high temperature sterilization cycle simplifies cleaning and eliminates the need for separate autoclaving of parts. With the push of a button, the simple overnight routine provides fast disinfection of all surfaces in your incubator chamber.

- Fully automatic 180°C cycle assures uniform 6-log sterilization on all chamber surfaces
- Laboratory tests support the ability of high temperature to eradicate biological contaminants including fungal mold, vegetative and spore forms of bacteria, including mycoplasma
- Avoids the physical constraints and variation associated with UV germicidal lamps and the ongoing costs, handling and storage of potentially toxic germicides



**The U.S. and E.U. Pharmacopeias no longer recommend a given temperature and time for sterilization. Instead, they require proof of performance. During Steri-Run, all chamber surfaces are proven to reach sterilization temperature.**

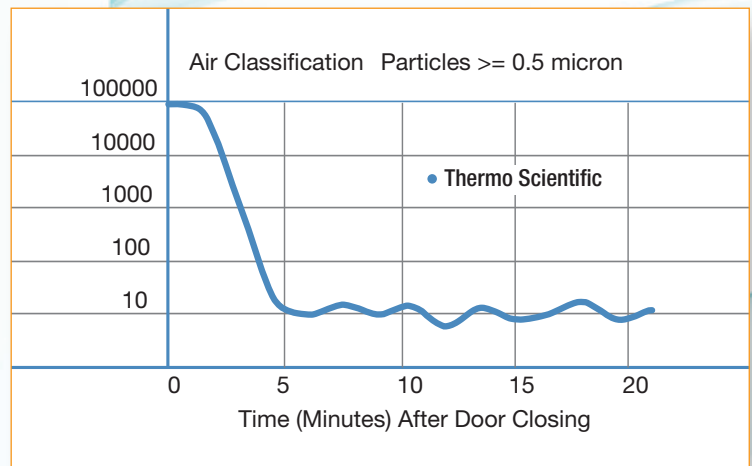
Validation that all surfaces reach 180°C with 35 point test on all chamber areas including the glass door.

## HEPA Air Filtration for Air Purity

Airborne particulates are a primary source of contamination in most lab settings. Our advanced HEPA filter technology protects your cultures, providing Class ISO-5 clean room-like air quality conditions within only five minutes after a 30-second door opening.

- Chamber air is processed every 60 seconds to ensure air quality
- Featuring a space saving configuration, the HEPA filter is readily replaceable with minimal cost

**HEPA filters are rated for their efficiency of capturing 0.3 µm sized particles, since this is the most penetrating size. In fact, larger and smaller particles are caught even more efficiently, over 99.998%**



Security for your cells. The HEPA filter provides a 4 log reduction of particles in 5 minutes. ISO 5 clean room air quality achieved in 5 minutes from a door opening.

## | easy to maintain

### Easy to maintain 100% solid copper

More cell culture professionals are choosing Thermo Scientific incubators with 100% pure copper interiors.

- Easy-to-clean, no special handling required
- Corrosion resistant copper surfaces provide long service life and are safe for cultured cells
- Durability, reliability, and recyclability makes copper a smart, sustainable choice

*“Everything we do is cell based. The main thing I’ve noticed is my ability to maintain my cells. There is just no comparison since we got the copper. I’ve had stainless steel incubators before but the comfort level you can have with the copper is simply amazing.”*

Laboratory Manager with 14 years experience working with all types of mammalian cell lines, including adherent, suspension, hybridomas and transformed stem cells

## Enhanced Simplicity

The Heracell VIOS series was designed to simply your interaction with the incubator. Spend more time pursuing your science and less time managing your equipment.

Main screen with a bright LED display provides at-a-glance monitoring even from a distance.

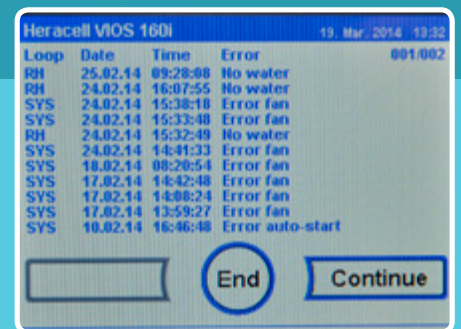
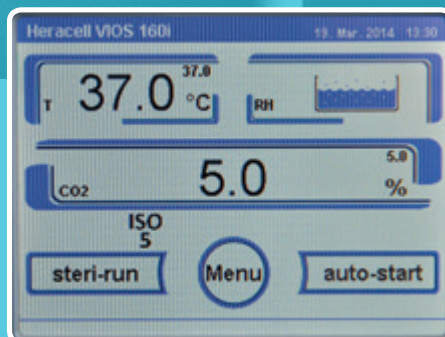
## iCAN™ Touchscreen Interface

Total control at your fingertips

The intelligent iCAN interface provides complete data visibility to monitor all incubator interaction, featuring door-mounted position for easy access, on-screen menu prompts, error and usage logs, data logging, performance trend graphing and multiple language selection.

**New rH monitoring** assures the proper humidity level with blue, full line icon. Low water alarm indicates critical low humidity levels requiring water addition.

ISO 5 icon indicates the chamber has reached clean room air quality, protecting your cultures.



▲ **On-demand data and error logs** provide a downloadable history of activity and conditions including parameter changes and alarms.





## Optimized chamber design for easy maintenance and monitoring

- Conveniently manage reminders for HEPA filter, Steri-Run sterilization cycle and Autostart automatic calibration functions
- Programmable access code ensures additional security of your settings and information
- Selectable languages simplify operation: English, Spanish, German, French, Italian, Japanese and Mandarin
- For easier water handling, humidity reservoir may be filled or drained without the removal of shelves or cultures
- Easy-to-clean, covered corners with convenient access port
- No special tools required for assembly and disassembly of interior components



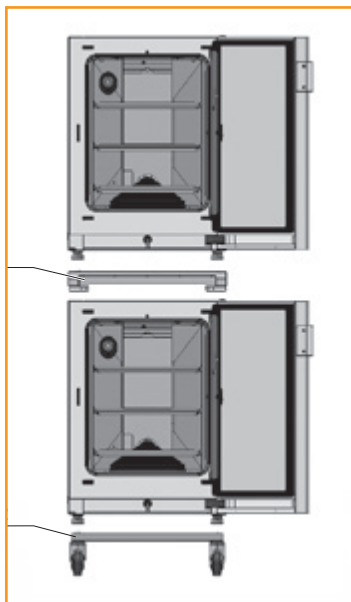
## Data collection

Retire your laboratory notebook, data collection is easy with a Heracell VIOS incubator. A data collection software disc is supplied with each unit, to facilitate data capture from the unit's convenient rear mounted USB output port.

Optional 4-20 mA signal output is available for interfacing with external data collection systems, such as Thermo Scientific™ Smart Vue™ remote monitoring system which is ideal for GMP environments with external sensors and CFR-21 compliant software packages.

construction	Chamber volume	165L (5.8 cu.ft.)
	Interior chamber	electropolished stainless steel or 100% solid copper
	Exterior chamber	18 gauge, cold-rolled steel, powder coated
	Access port	42mm diameter
	Data outputs	remote alarm contacts, USB, and optional 4-20 mA
dimensions	Internal dimensions (w x h x d)	423 x 504 x 465 mm
		16.7 x 19.9 x 18.3 inches
	External dimensions (w x h x d)	637 x 905 x 790 mm
		25.1 x 35.6 x 31.1 inches
	Shipping dimensions (w x h x d)	755 x 1010 x 1205 mm
Operating weight	83 kg (without accessories), (183 lbs)	
shelves	Shipping weight	98 kg, (216 lbs)
	Dimensions (w x h)	423 x 465 mm (16.7 x 18.3 in)
	Number standard/maximum	3/10
	Max. load per shelf/total load	10/30kg (22/66lbs)
electrical	Construction	perforated, adjustable
	Rated voltage	1/N/PE AC (± 10%), 230, 220V, 120V, 100V
	Nominal kW consumption (Steri-Run)	0.56 (1.06) – 230V, 0.51 (0.97) – 220V
		0.55 (1.01) - 120V, 0.39 (0.72) – 100V
	Rated frequency	50/60 Hz
	Heat emission to environment at 37°C	0.06 kWh/h
During Steri-Run:	0.26 kWh/h (average), 0.78 kWh/h (heating time), 0.59 kWh/h (hold time)	
temperature	Control	±0.1°C
	Range	Range 3°C above ambient to 55°C
	Uniformity	< ±0.3°C
	Ambient range	18...34 °C
	Tracking alarm	±1°C
sterilization cycle	Cycle temperature	180°C on all internal surfaces
	Cycle time	Under 12 hours
humidity	RH	>93% @ 37C
	Humidity reservoir	max. 3L / min 0.5L
CO <sub>2</sub>	Control	± 0.1%
	Range	1-20%
	Tracking alarm	±1%
	Inlet pressure	12-15 PSI (0.8-1.0 bar)
	Gas purity	min. 99.5 or medical quality
	CO <sub>2</sub> inlet	1/8" hose (barbed)
O <sub>2</sub>	Control	± 0.1%
	Range	1-21% or 5-90%
	Tracking alarm	±1%
	Inlet pressure	12-15 PSI (0.8-1.0 bar)
	Gas purity	min. 99.5 or med. quality
	CO <sub>2</sub> inlet	1/8" hose (barbed)

## Select the Heracell VIOS incubator that best meets your culturing needs



Units are easily stackable. Required stacking adapter provides efficient heat dissipation to operate Steri-Run in one unit while culturing in the other without process disruption.

Heracell VIOS 160i CO <sub>2</sub> Incubator	Stainless Steel	100% Copper
<b>TC Sensor</b>		
Single chamber with TC CO <sub>2</sub> sensor, 120V 50/60Hz	51030285	51030284
Single chamber with TC CO <sub>2</sub> sensor, 230V 50/60Hz	51030287	51030286
Dual chamber with TC CO <sub>2</sub> sensor, stacking adapter, and roller dolly 120V 50/60Hz	50144906	50144908
Dual chamber with TC CO <sub>2</sub> sensor, stacking adapter, and roller dolly 230V 50/60Hz	50145502	50145503
<b>IR Sensor</b>		
Single chamber with IR CO <sub>2</sub> sensor, 120V 50/60Hz	51030475	51030472
Single chamber with IR CO <sub>2</sub> sensor, 230V 50/60Hz	51030478	51030476
Dual chamber with IR CO <sub>2</sub> sensor, stacking adapter, and roller dolly 120V 50/60Hz	50145504	50145516
Dual chamber with IR CO <sub>2</sub> sensor, stacking adapter, and roller dolly 230V 50/60Hz	50145515	50145517



Options and accessories to customize your Heracell VIOS CO<sub>2</sub> incubatorsHeracell VIOS 160i CO<sub>2</sub> Incubatorfactory  
installed

## Country Versions

Electrical configuration for Switzerland	51900300
Electrical configuration for Great Britain	51900303
Electrical configuration for Italy	51900306
Electrical configuration for Australia	51900449
Electrical configuration for Denmark	51900481
Electrical configuration for China	51900900

## Chamber Configuration

Internal 4-20 mA analog data output	51901143
Left hinge door configuration	51900293
Internal gas guard for CO <sub>2</sub>	51900735
Internal gas guard for N <sub>2</sub> /O <sub>2</sub>	51900736
Stainless steel external outer casing	51901126
3 door inner gas tight screen (replaces single inner door configuration)	51901144

O<sub>2</sub> Control

1-21% O <sub>2</sub> control	51901137
5-90% O <sub>2</sub> control	51901138
1-21% O <sub>2</sub> control with 3 door inner gas tight screen door	51901145
5-90% O <sub>2</sub> control with 3 door inner gas tight screen door	51901146

customer  
installed

## Support Frames, Stacking Adapters and Shelving

Support frame for double chamber, 172 mm high (with castors)	50145394
Support frame for double chamber, 200 mm high (without castors)	50145435
Support frame for single chamber, 780 mm high (without castors)	50145436
Adaptor required for stacking 160i models	50144550
Stacking adaptor configured to stack a Heracell VIOS on top of Heracell 150i	50145437
Support frame with drawers for single chamber, 780 mm high with 3 drawers complete with 4 swivel locking castors	50056459
Additional stainless steel shelf, full-width, 2 support rails	50051909
Additional shelf, solid copper, full-width, with 2 support rails	50051910
Set of 3 HERAtrays, 1/3 width, in stainless steel (autoclaveable)	50051913
Set of 3 HERAtrays, 1/3 width, in solid copper	50051914
Set of 2 HERAtrays, 1/2 width, in stainless steel (autoclaveable)	50058672
Set of 2 HERAtrays, 1/2 width, in copper	50061050

CO<sub>2</sub>/O<sub>2</sub> Accessories and Monitoring

Replacement in chamber HEPA filter	50141920
CO <sub>2</sub> gas regulator, 2-stage, for gas tank	3429937
N <sub>2</sub> gas regulator, 2-stage for gas tank	3429942
O <sub>2</sub> gas regulator, 2-stage for gas tank	3429943
External gas guard automatic change-over to reserve tank, 120 V, 50/60 Hz	50059043
External gas guard automatic change-over to reserve tank, 230 V, 50/60 Hz	50046033
IR gas tester with travel case (for advanced calibration and testing purposes)	50121515
IR gas tester interface kit	50122015
5 inlet port filters for IR testers	50060287





**ISO 9001** REGISTERED COMPANY  
Thermo Fisher Scientific,  
San Jose, CA USA is ISO Certified.

[thermoscientific.com/co2](http://thermoscientific.com/co2)

© 2014 Thermo Fisher Scientific Inc. All rights reserved. All trademarks are the property of Thermo Fisher Scientific Inc. and its subsidiaries. Specifications, terms and pricing are subject to change. Not all products are available in all countries. Please consult your local sales representative for details.

**Australia** +61 39757 4300  
**Austria** +43 1 801 40 0  
**Belgium** +32 53 73 42 41  
**China** +800 810 5118 or  
+400 650 5118  
**France** +33 2 2803 2180  
**Germany national toll free** 0800 1 536 376  
**Germany international** +49 6184 90 6000

**India toll free** 1800 22 8374  
**India** +91 22 6716 2200  
**Italy** +39 02 95059 552  
**Japan** +81 3 5826 1616  
**Netherlands** +31 76 579 55 55  
**New Zealand** +64 9 980 6700  
**Nordic/Baltic/CIS countries**  
+358 9 3291 0200

**Russia** +7 812 703 42 15  
**Spain/Portugal** +34 93 223 09 18  
**Switzerland** +41 44 454 12 22  
**UK/Ireland** +44 870 609 9203  
**USA/Canada** +1 866 984 3766

**Other Asian countries** +852 2885 4613  
**Countries not listed** +49 6184 90 6000

**Thermo**  
SCIENTIFIC

A Thermo Fisher Scientific Brand